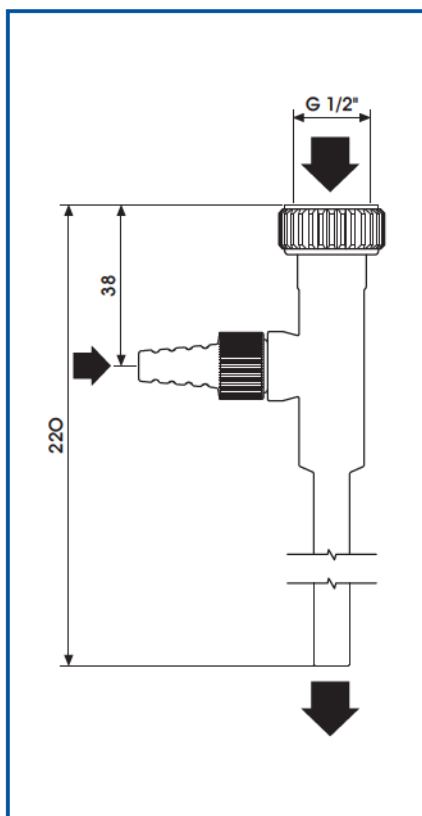
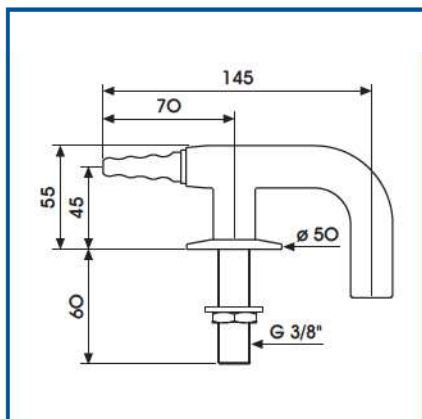


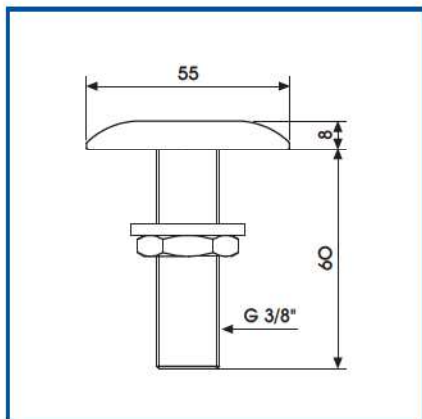
ACCESSORIES



133 WATER JET VACUUM
PUMP WITH
ANTI SPLASH OUTLET



WASTE FOR HOSE
6134 FIXED NOZZLE INLET
6138 REMOVABLE NOZZLE



6970 BLIND FLANGE
17-22 mm

