

Mettler Toledo ME típusú analitikai mérlegek

Designed to Last



ME balances are built to last. The solid construction and high quality materials ensure you can rely on accurate results for many years to come.

- Solid metal base
- Reinforced body
- Overload protection up to 100 kg

Simply Reliable



State-of-the-art weighing technology ensures stable and accurate results.

- Fast and reliable results
- Date and time stamp (ISO/GLP)
- Internal adjustment available on all models

Efficient Operation

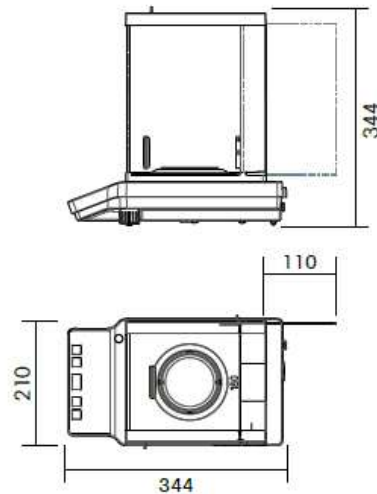


The easy-to-use interface enables direct access to applications and calibration routines. Coupled with easy cleaning, your daily tasks are fast and efficient.

- Intuitive interface
- 10 built-in applications
- Rounded edges and smooth surfaces are easy-to-clean

Technical data

NewClassic ME Analytical Balances



Model with internal adjustment	ME54	ME104	ME204
Model with external calibration	ME54E	ME104E	ME204E
Maximum capacity	52 g	120 g	220 g
Weighing platform dimensions Ø	90 mm		
Readability	0.1 mg		
Repeatability	0.1 mg		
Linearity	0.2 mg		
Settling time	2.5 s		
Sensitivity temperature drift	2.0 ppm/°C		
Weight of balance	4.7 kg		
Applications	Formulation, Totalling, Dynamic Weighing, Piece Counting, Density, Percent Weighing, Check Weighing, Statistics, Free Factor		